



EXPERT

ON SPECIAL BEARINGS

RADIAL BALL BEARING

SPECIAL OUTER PROFILE

TRACK ROLLERS

ONE WAY BEARINGS



Some applications fields

LINEAR GUIDE SYSTEM

WOODWORKING MACHINES

CONVEYORS

TEXTILE MACHINES

SLIDING DOORS



T RACE bearings division is specialized in customized products: track rollers, one way bearings, profiled bearings with special shape and internal construction. T RACE special bearings can solve many problems that customer meets in several application fields. Our experience and know-how will be to the customer's service for giving to him suggestion and find the best solution and performance at cheaper price.

TECHNICAL INFORMATION

T RACE special bearings offers the following technical data.

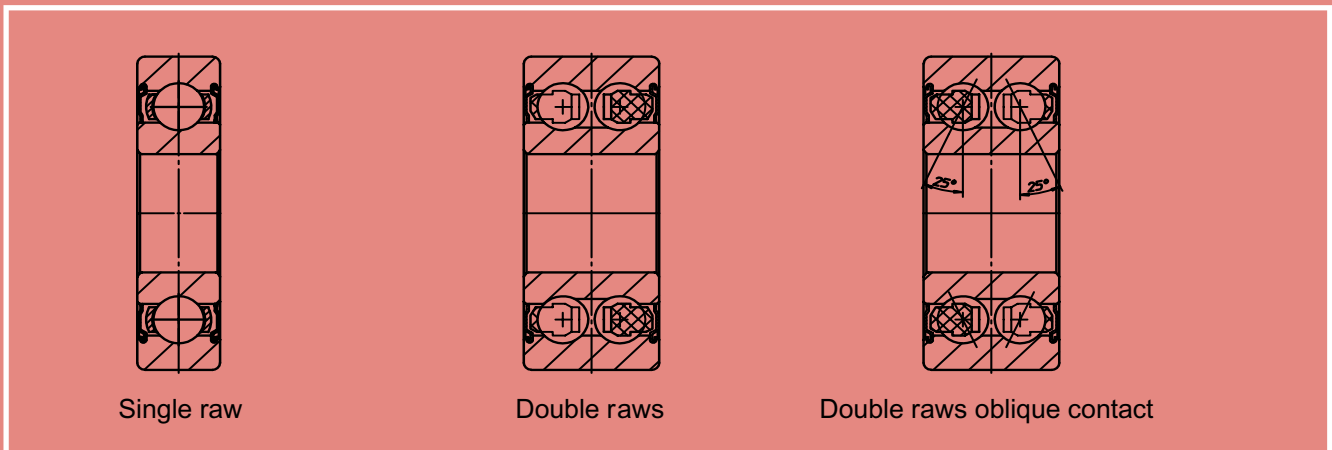
DIMENSION RANGE

Minimum hole diameter 3 mm.

Outer diameter from 10 to 100 mm.

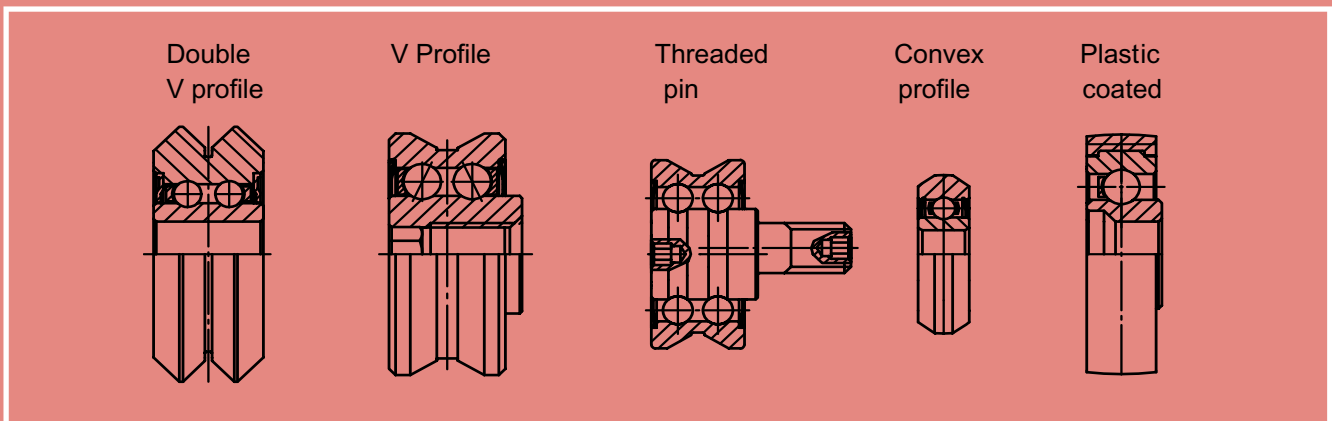
INSIDE CONSTRUCTION

There are three different inside construction: single raw, double raw and oblique contact.



VERSIONS

The outer ring can be shaped as customer needs, also can be coated with different plastic materials. The inner ring can be with integrated pin, with hole or with inside or outside thread.



MATERIALS

Special bearings can be made in different materials:

Chrome steel 100 Cr6

Stainless steel AISI 440

Carbon steel, carbonitriding (low cost versions)

PRECISION

Bearings can be produced in different precision class:

Standard precision P0

High precision P6 and P5

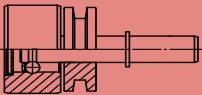
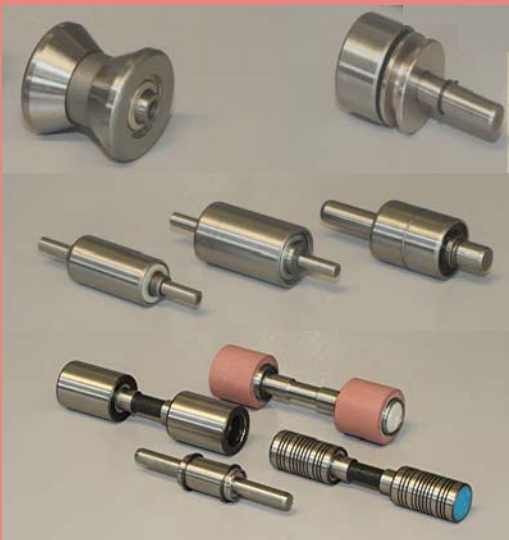
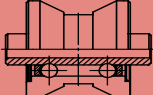
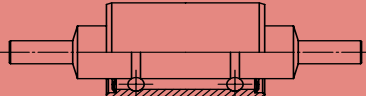
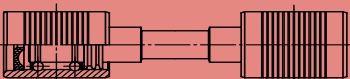
PROTECTION

Bearings can be supplied with 2Z shield or 2RS seals with light contact or strong contact



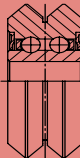
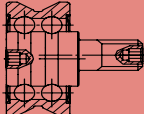
APPLICATION FIELD

Special ball and roller bearings can be used in several applications
 Below there are some examples of main applications

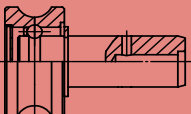

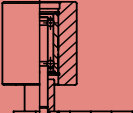
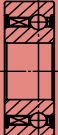
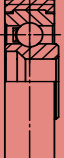
TEXTILE MACHINES

Oscillating roller		
Guide roller		
Top roller for single spinning machine		
Top roller for ring spinning machines		

LINEAR GUIDES

Roller with convex V shape		
Roller double convex V		
Roller with concave V shape and integrated pin		

OTHER FIELDS

Special profiled roller for woodworking machines		
Tape tension pulley for tangential belt		
One way bearing		
Bearing with plastic coat (conveyors, sliding doors)		



QUALITY CONTROL

Special bearings are designed by T RACE for meeting the customer ' s requirement, they are made by the best tool machines on the market.

T RACE pay more attention on the quality, in the same time T RACE has competitive price.

Every T RACE products are checked in every phase of the process, they are assembled after checked quality and tolerances on dimensions.

Metrology department checks the quality of product with the right equipments.

EQUIPMENT

Hardness machine

Roughness machine

Roundness machine

Profile projector gauge

Noise measurer

Vibrations mesaurer



QUALITY CONTROL IN PROCESS

Hardness after heat treatment

Roundness on outer and inner ring

Radius on raceways

Roughness on raceways

Radial or axial clearance

Noisiness

Vibrations



T RACE S.p.A.
Via Eligio Brigatti 52/C
20050 Ronco Briantino (MI)
Tel. 0039 039 6817201
Fax.0039 039 6817217
E-mail: info@t-race.com
www.t-race.com