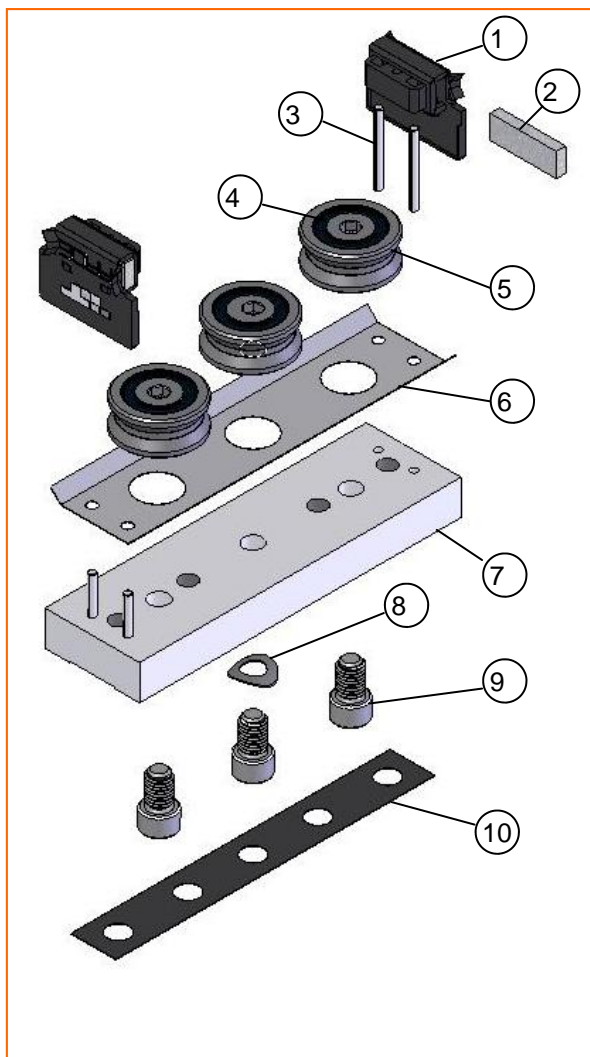




MATERIALS LIST

Sliders RACER series RV-RP-RA



n°	Description	Material
1	Head wipers	Thermoplastic polyester elastomer
2	Lubrication caps	Synthetic fibres with lithium based grease
3	Pin	Spring steel
4	Roller shield	Neoprene
5	Roller	High carbon steel
6	Seal	Polycarbonate
7	Slider body	Zinc plated mild steel
8	Washer	Spring steel
9	Screw	Zinc plated carbon steel
10	Strap	Polycarbonate



Guide RAILRACE serie ML, MR e FXR

Material	Hardening treatment	Anticorrosion coating
Casehardening carbon steel	High depth nitriding	Oxidation based on iron oxide Fe3O4
		Micro impregnation with lubrication anti corrosion substance.